

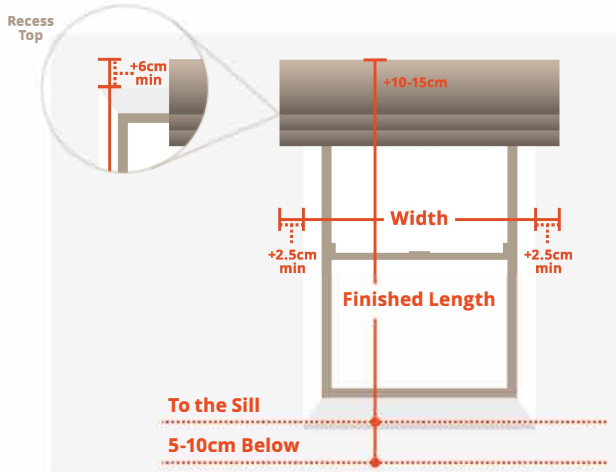


Poppy-Mae

Call us on
07854 381 870

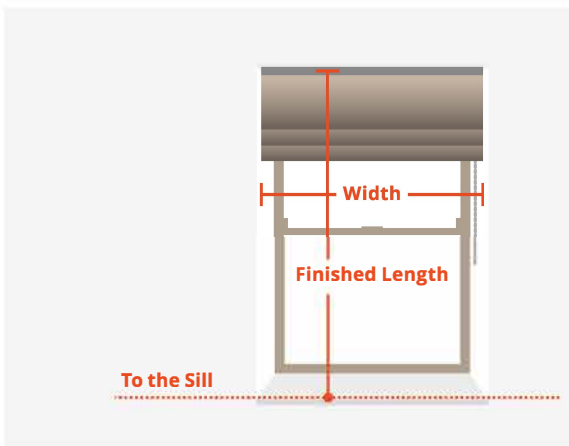
Email us on
hello@poppymae.co.uk

How to measure for Roman Blinds



For fitting outside the window recess:

1. Decide on the best position for the blind.
2. Measure the width of your recess, adding at least 2.5cm to either side. For blackout blinds, increasing the width will reduce light bleed.
3. Measure the length, adding at least 6cm above the recess top to allow for fitting. (We recommend adding 10-15cm). This is your blind drop.
4. Choose between traditional fabric covered wooden batten, pull cord and cleat hook or deluxe chain operated headrail.



For fitting inside the window recess:

1. Measure the full width of the recess in at the least 3 places: top, middle and bottom. Choose the narrowest point, this gives you the recess width. Please specify below if you have supplied the recess size. We will deduct 1cm from this when making your blind to allow the finished blind to move freely.
2. Measure the length from the top of the recess to the sill, again in at least 3 places, choosing the smallest value. This is your blind drop.
3. Choose which side is best for your cord/chain **TIP;** make sure that the blind will be far enough away from window handles to prevent obstruction. Check the drop where the fabric part of the blind will actually hang.

Blind Measurements

Need help? If you have an unconventional window, please email us a picture for further advice.

	Room/Window Ref:	Width (cm)	Drop (cm)	Recess Size Y/N	Control (Right/Left)	Blackout? Y/N	Mechanism (Cord or Chain)
1.							
2.							
3.							
4.							
5.							

Name:

Email:

Telephone No:

Additional Comments: